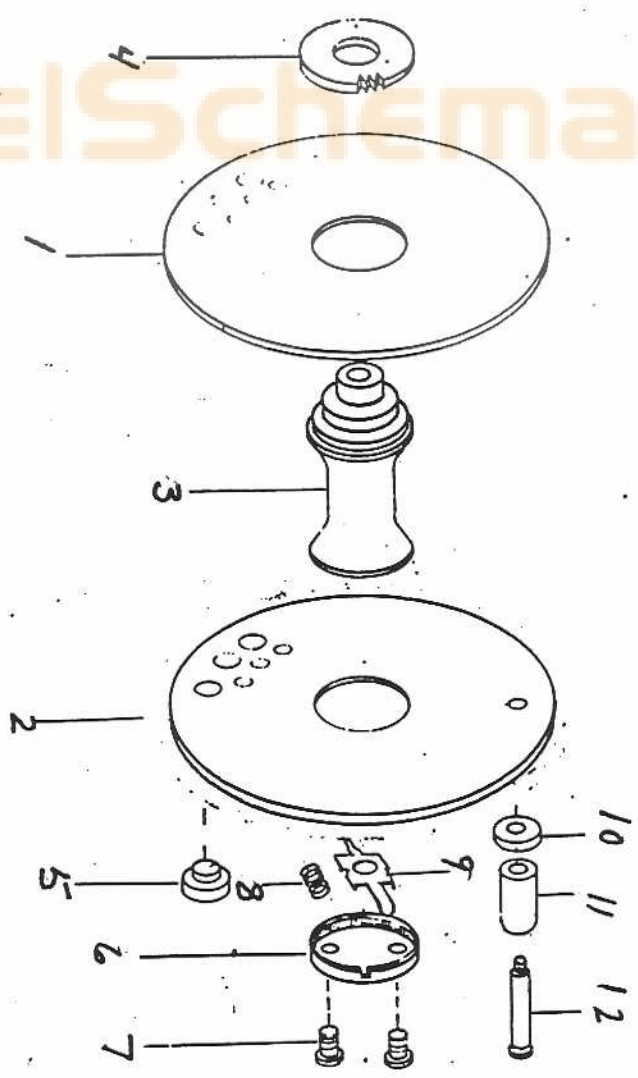


47-10



SHT #2

PART NUMBER	QUANTITY
1 769-A INSIDE SPOOL SIDE	1
2 719-A OUTSIDE SPOOL SIDE	
3 849-A HUB	1
4 713-A ROLLER GEAR	1
5 713-A ROLLER GEAR	
6 251-000 (HUB)	1
7 251-000 (HUB)	
8 253-5 LOCK SPRING	1
9 253-5 LOCK SPRING	
10 163-000 HANDLE JACKET	1
11 163-000 HANDLE JACKET	1
12 230-000 ROLLER PIN	1
13	
14	
15	